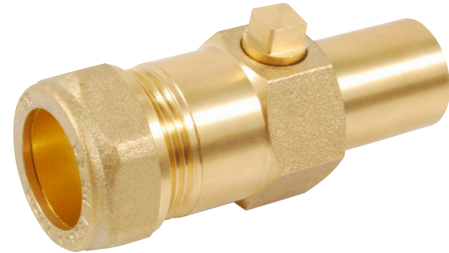


Check valve 2111 and 2112

- Dezincification resistant brass
- Female thread 3/4" or 22CU compression fitting
- Controllable



Description

Check valve.

Construction

Controllable check valve in dezincification resistant brass. Connection tube end Ø22 and compression fitting 22CU or female thread 3/4". Plug with square grip for function control. Gasket in EPDM. Key grip.

Marking

CR, flow direction arrow.

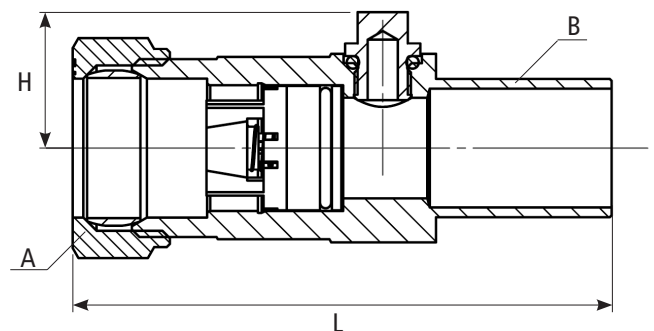
Maintenance

Check valves are usually maintenance-free but should be inspected periodically.

Technical data

Body	Dezincification resistant brass CW625N
Check valve	POM
Gasket	EPDM

Maximum working pressure: 10 bar
 Maximum working temperature: +90°C
 Minimum working temperature: +2°C



Item number	Description	Connection A	Tube end B Ø	Length L	Height H	Weight (kg)
0221110000	Check valve 2111, 22CU x 22 tube end	22CU	22	86	21,6	0,23
0221122220	Check valve 2112, 3/4" F x 22 tube end	3/4" F	15	77	21,6	0,20

All dimensions in millimetres

Subject to technical changes and corrections without notice